



MODEL

WESTCOTT 1000

INSTALLATION SPECIFICATION SHEET

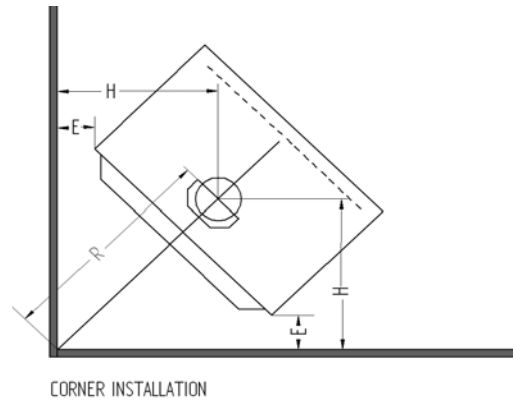
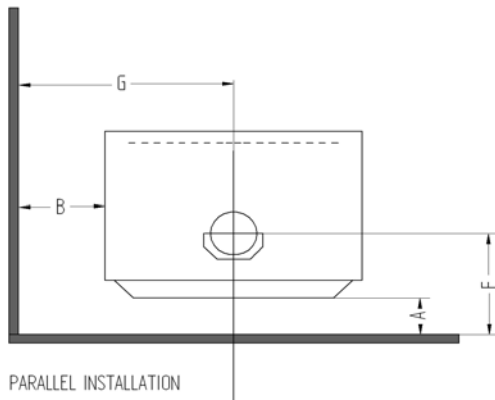
These instructions must be used in conjunction with the 'General Installation Instructions' for Masport wood fires.

CLEARANCE REQUIREMENTS

This fire has been tested and complies to the Australian/New Zealand Standard AS/NZS 2918:2001 and all installations must be in accordance with the minimum clearances to combustibles indicated in these instructions.

The minimum clearances to combustibles may be reduced if the combustible walls are shielded with an approved non-combustible material. Details of suitable materials and appropriate clearance reduction factors are present in Section 3 of AS/NZS 2918:2001.

POSITIONING YOUR FREE-STANDING WOODFIRE



NEW ZEALAND

MINIMUM DISTANCES TO HEAT SENSITIVE WALLS (mm)

MODEL	FLUE HEAT SHIELD	A	B	E	F	G	H	R§
NOT AVAILABLE								

AUSTRALIA

MINIMUM DISTANCES TO HEAT SENSITIVE WALLS (mm)

MODEL	FLUE HEAT SHIELD	A	B	E	F	G	H	R§
WESTCOTT 1000	FLOMET SUPER SINGLE 4 1/2"	50	200	150	160	405	373	527
	AIR-GROUP SPECIAL INSULATED FLUE KIT*	150	365	210	260	570	433	612

§ Valid only when the room walls are at 90° to each other.

‡ Note: Clearances are for fire hazard only. For durability of finishes or surfaces you should contact the relevant manufacturer for their specification. Masport accepts no responsibility for the deterioration of surfaces or finishes.

See " INSTALLING THE FLUE " for recommended Australian flue systems.

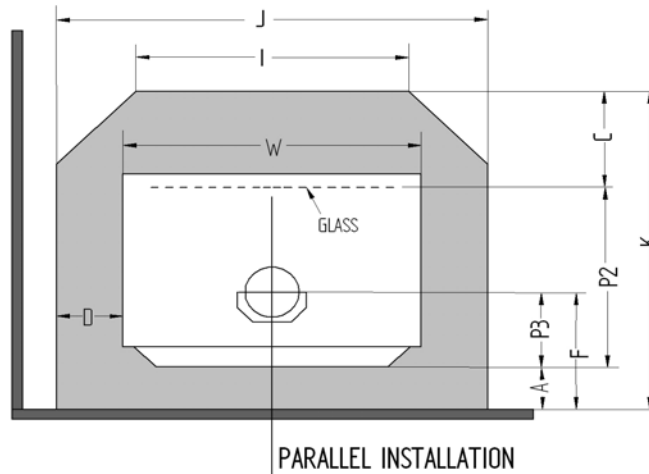
PRT. NO. 592003

DATE: 23.03.2012

* Air-Group Special Insulated Flue Kit is same as AHD Special Insulated Flue Kit
 O:\W-F INSTALLATION SPECIFICATIONS\Individual Installation Data Sheets\INSTALLATION SPECIFICATIONS
 INDIVIDUAL MASPORTWESTCOT 1000 Installation Data Sheets 592003-12-03-23.xls

FLOOR PROTECTOR (Hearth) REQUIREMENTS PARALLEL INSTALLATION

MINIMUM FLOOR PROTECTOR DIMENSIONS IN mm



DIMENSIONS IN THE TABLE ARE VALID ONLY WHEN THE FIRE IS EXACTLEY AT ITS MINIMUM ALLOWABLE WALL CLEARANCE.

NEW ZEALAND

MODEL	Flue Shield	Floor Protector height	A#	C#	D	F	I	J	K#	P2	P3	W	Floor Protector Type Ø
NOT AVAILABLE													

AUSTRALIA - ALL WITH FLUE HEATSHIELD

MODEL	Flue Shield	Floor Protector height	A#	C#	D	F	I	J	K#	P2	P3	W	Floor Protector Type Ø
WESTCOTT 1000	FSS		50	300	138	160	385	685	665	315	110	410	ASH
	AGA		150	300	138	260	385	685	765	315	110	410	ASH1

FSS: FLOMET SUPER SINGLE 4 1/2"

AGA: AIR GROUP / AHD SPECIAL INSULATED FLUE KIT WITH 900mm S/S REFLECTOR SHIELD

ASH: 8mm THICK FIBRE CEMENT BOARD OR SIMILAR, 0.8 m² K/W PER 4mm THICKNESS

ASH1: 12mm FIBRE CEMENT SHEET (0.8m² K / W PER 4mm SHEET THICKNESS

Ø for minimum constructional requirements see general installation instructions.

Valid only when the fire is exactly at its minimum allowable wall clearance.

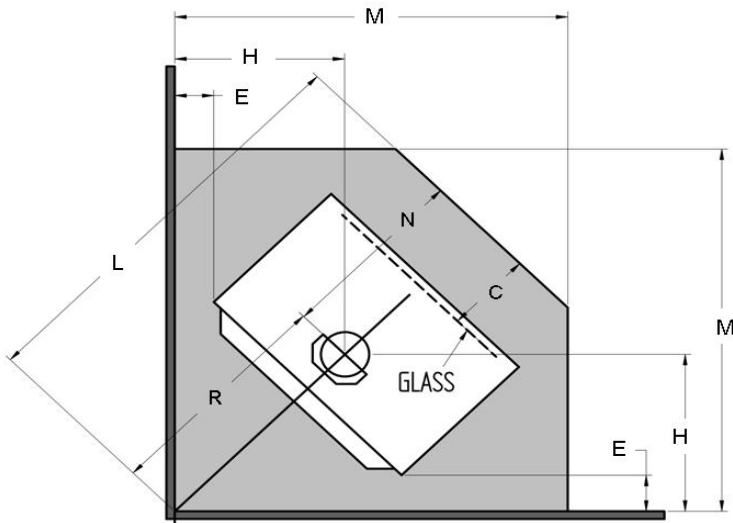
NOTE: Where a fan is being fitted, you may prefer to increase the 'A' dimension to 100 mm to provide easier access for servicing. If so, the amount you add to 'A' to bring it to 100 mm must also be added to the 'C' and 'S' dimensions.

O:\W-F INSTALLATION SPECIFICATIONS\Individual Installation Data Sheets\INSTALLATION SPECIFICATIONS

INDIVIDUAL MASPORTWESTCOT 1000 Installation Data Sheets 592003-12-03-23.xls

FLOOR PROTECTORS (Hearth) REQUIREMENTS CORNER INSTALLATION

MINIMUM FLOOR PROTECTOR DIMENSIONS IN mm



DIMENSIONS IN THE TABLE ARE VALID ONLY WHEN THE FIRE IS EXACTLEY AT ITS MINIMUM ALLOWABLE WALL CLEARANCE.

NEW ZEALAND

MODEL	Flue Shield	Floor Protector Distance above Floor	C	E	H#	L#	M#	N	R#	FLOOR PROTECTOR TYPE
NOT AVAILABLE										

AUSTRALIA

MODEL	Flue Shield	Floor Protector Distance above Floor	C	E	H#	L#	M#	N	R#	FLOOR PROTECTOR TYPE
WESTCOTT 1000	FSS:	ANY	300	150	373	1032	866	505	527	ASH
	AGA:	ANY	300	210	433	1117	926	505	612	ASH1

FSS: FLOMET SUPER SINGLE 4 1/2"

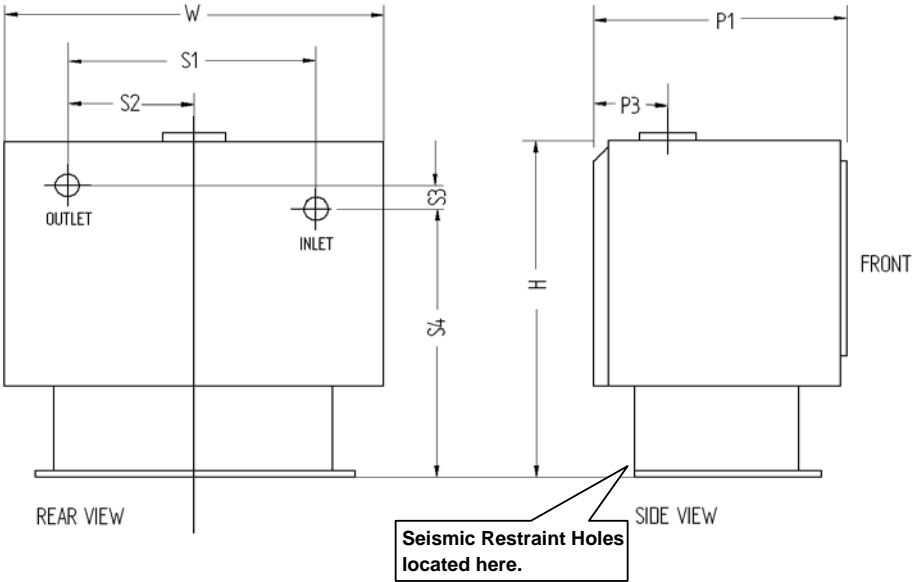
AGA: AIR GROUP / AHD SPECIAL INSULATED FLUE KIT WITH 900mm S/S REFLECTOR SHIELD

ASH: 8mm THICK FIBRE CEMENT BOARD OR SIMILAR, 0.8 m² K/W PER 4mm THICKNESS

ASH1: 12mm FIBRE CEMENT SHEET (0.8m² K / W PER 4mm SHEET THICKNESS

O:\W-F INSTALLATION SPECIFICATIONS\Individual Installation Data Sheets\INSTALLATION SPECIFICATIONS INDIVIDUAL MASPORTWESTCOT 1000 Installation Data Sheets 592003-12-03-23.xls

FREE STANDING FIRE DIMENSIONS



MODEL		P1	P3	H	W	S1	S2	S3	S4
WESTCOTT 1000		370	110	540	410	N/A	N/A	N/A	N/A

Seismic Restraint - In New Zealand and parts of Australia, it is required that the wood fire and floor protector are secured to prevent shifting in the event of an earthquake. This is best done by fastening the wood fire right through the protector to the floor, using two screws not less than 12 gauge or the equivalent size of coach bolts or toggle fasteners.